

PFAFF®

ambition 1.0 - 1.5

Ersatzteile-Liste
List of spare parts
Liste des pièces détachées
Catalogo pezzi staccati
Lista de piezas de repuesto



Please note that on disposal, this product must be safely recycled in accordance with relevant National legislation relating to electrical/electronic products. If in doubt please contact your retailer for guidance.



Bitte beachten Sie, dass hinsichtlich der Entsorgung dieses Produkts, vorschriftsmäßig entsprechend der gültigen nationalen Gesetzgebung für elektrische/elektronische Produkte, recycelt werden muss. Bei Zweifel setzen Sie sich bitte mit Ihrem Fachhändler in Verbindung.



Veuillez noter qu'en cas de destruction, ce produit doit bénéficier d'un recyclage sécurisé, conforme à la législation nationale applicable aux produits électriques/électroniques. En cas de doute, veuillez contacter votre distributeur agréé.

- All casted parts within our products are marked with name of material if allowed by size.
- All molded plastic parts within our products are marked with name of material if allowed by size.

Nicht nummerierte Teile im Katalog werden nicht geliefert.

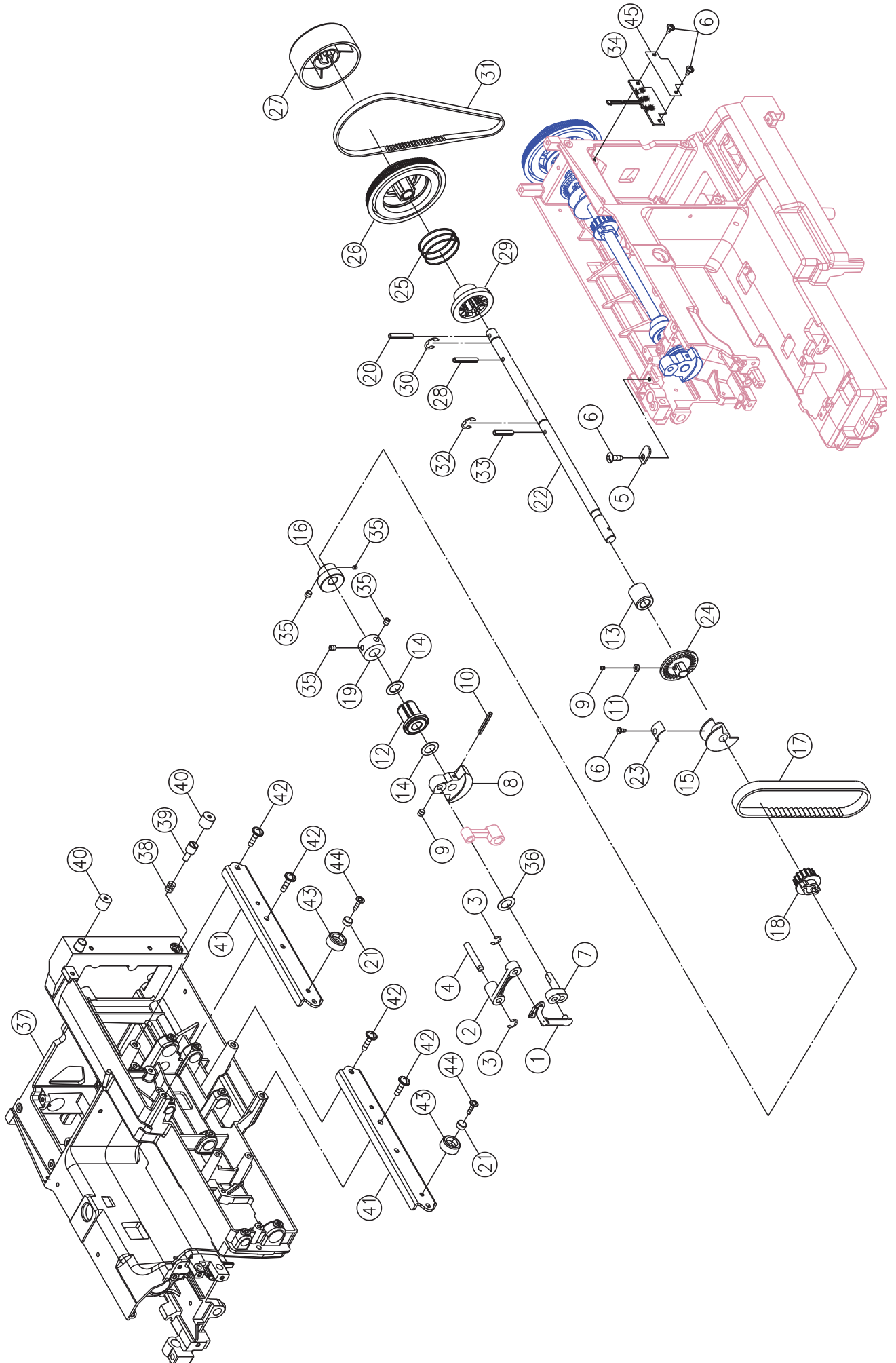
The parts mentioned without number in the parts list are not available.

Les pièces qui ne sont pas numérotées dans la liste de pièces détachées ne peuvent être livrées.

Pezzi non catalogati non sono disponibili.

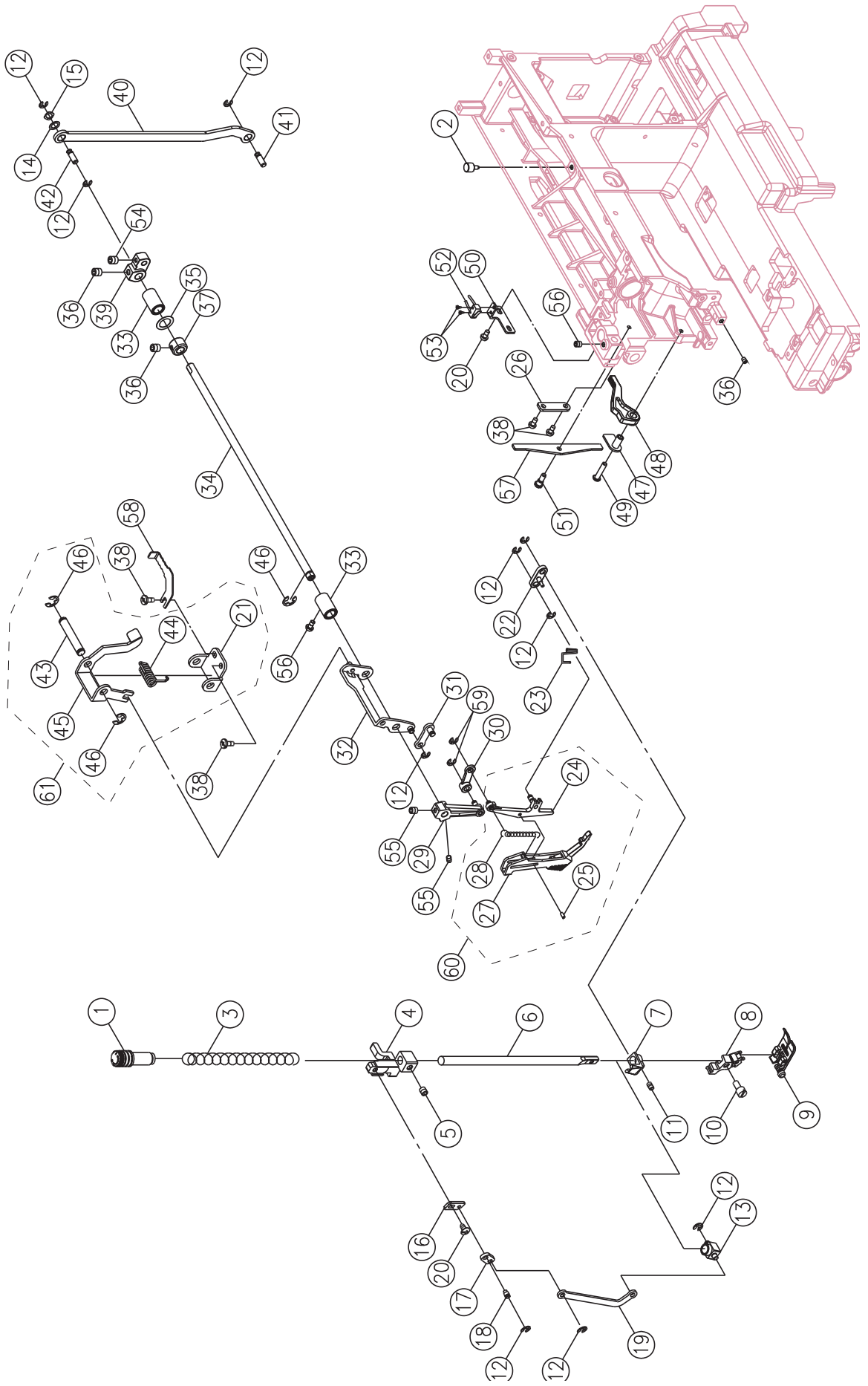
Las piezas de repuesto sin número en esta lista no se entregarán.

A



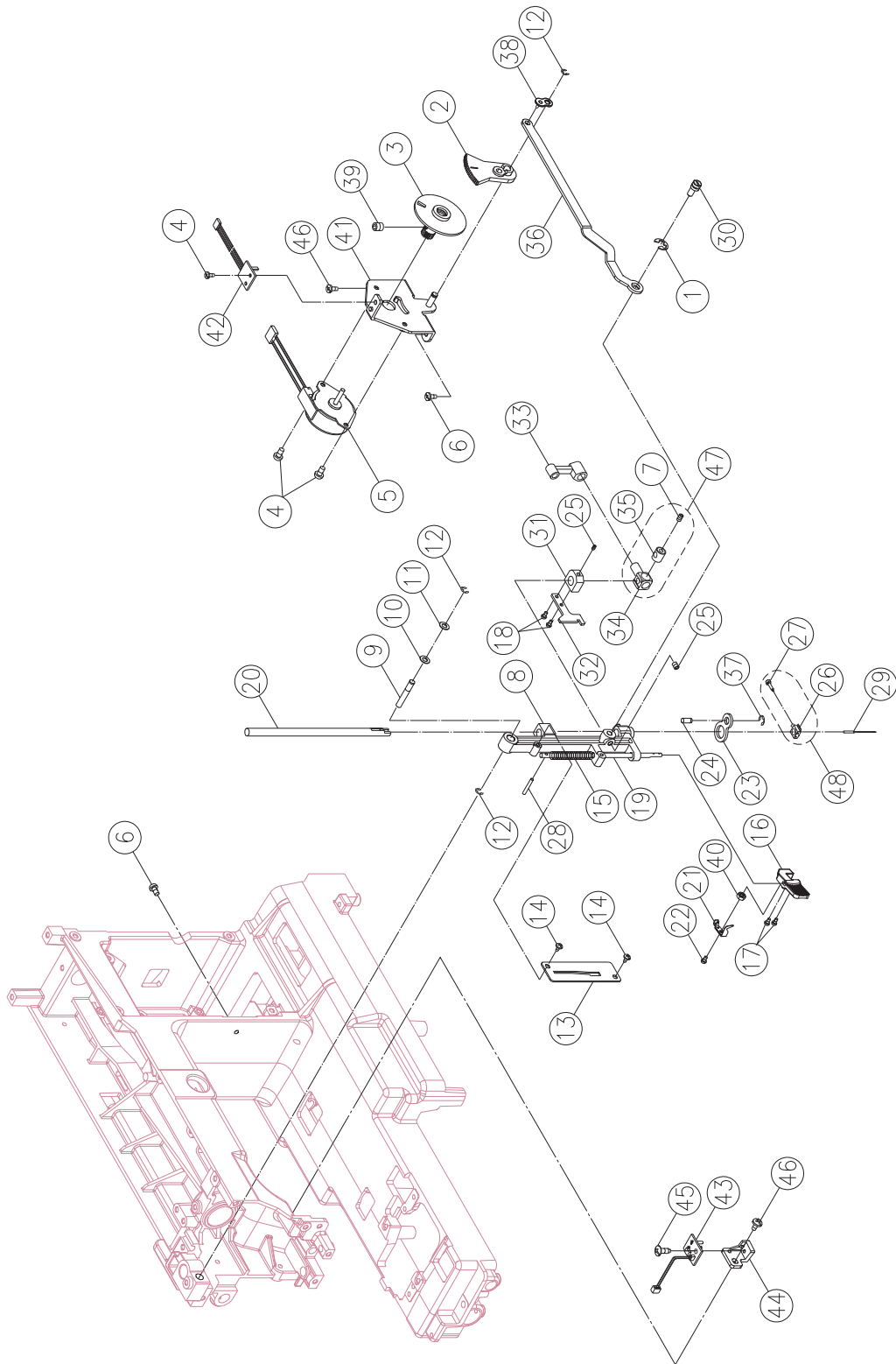
No.	Part No.	Description
1	416484501	THREAD TAKE UP LEVER COMPLETE
2	416147701	THREAD TAKE UP LEVER SUPPORTER
3	416116001	E-RING ETW-3
4	270 V60223003	THREAD TAKE UP LEVER SUPPORTER SHAFT
5	416152201	SET WASTER
6	416121501	SET SCREW M4×8 A
7	416566301	ARM SHAFT BALANCE PIN COMPLETE
8	416566401	ARM SHAFT BALANCE
9	416122101	SET SCREW (M4×6 C)
10	270 003043524	ARM SHAFT BALANCE PIN 3.5×24
11	270 004840022	NUT (M4 T=3)
12	416576801	ARM SHAFT BUSHING
13	416576901	ARM SHAFT BUSHING
14	270 004400080	ENDURE ATTRITION WASHER
15	270 D3A0033000	ROTARY SENSOR COLLAR
16	416577001	SHANK CAM (2)
17	270 00742505M6	MOTOR DRIVE BELT (425-5-KC6)
18	270 H1A0403000	ARM SHAFT SPROCKET
19	416577101	ARM SHAFT COLLAR
20	270 003043030	SPRING PIN 3×30
21	416542201	SPACER
22	416577201	ARM SHAFT
23	270 D3A0043002	ARC WASHER
24	270 008410000	REVOLUTION CONTROL PANEL
25	270 D5A0573003	ARM SHAFT CLUTCH ANNULUS SPRING
26	270 H1A0103000	ARM SHAFT DRIVE BELT PULLEY
27	416476501	HAND WHEEL
28	270 003043028	SPRING PIN 3×28
29	413232202	SHIELD, TAKE UP LEVER, ASS.
30	270 003010083	E-RING ETW-8
31	270 00749402M5	MOTOR DRIVE BELT 2M
32	270 003010093	E-RING ETW-9
33	270 003043018	SPRING PIN 3×18
34	416476401	PHOTO SENSOR PLATE
35	416121001	SET SCREW (M4x5 C)
36	270 0044000020	ENDURE ATTRITION WASHER (6.2x12x0.25)
37	N/S	ARM
38	270 E1A2573006	BASE PLATE ADJUSTMENT SCREW SPRING
39	270 K82133006	BASE PLATE ADJUSTMENT SCREW
40	270 K6A0063000	FREE ARM BASE CUSHION RUBBER
41	416476601	FREE ARM BASE CUSHION
42	270 004250426	SET SCREW M5×10
43	270 F31103000	FREE ARM BASE CUSHION RUBBER
44	270 004240586	SET SCREW M4×8
45	416577301	INSULATING SLICE

B



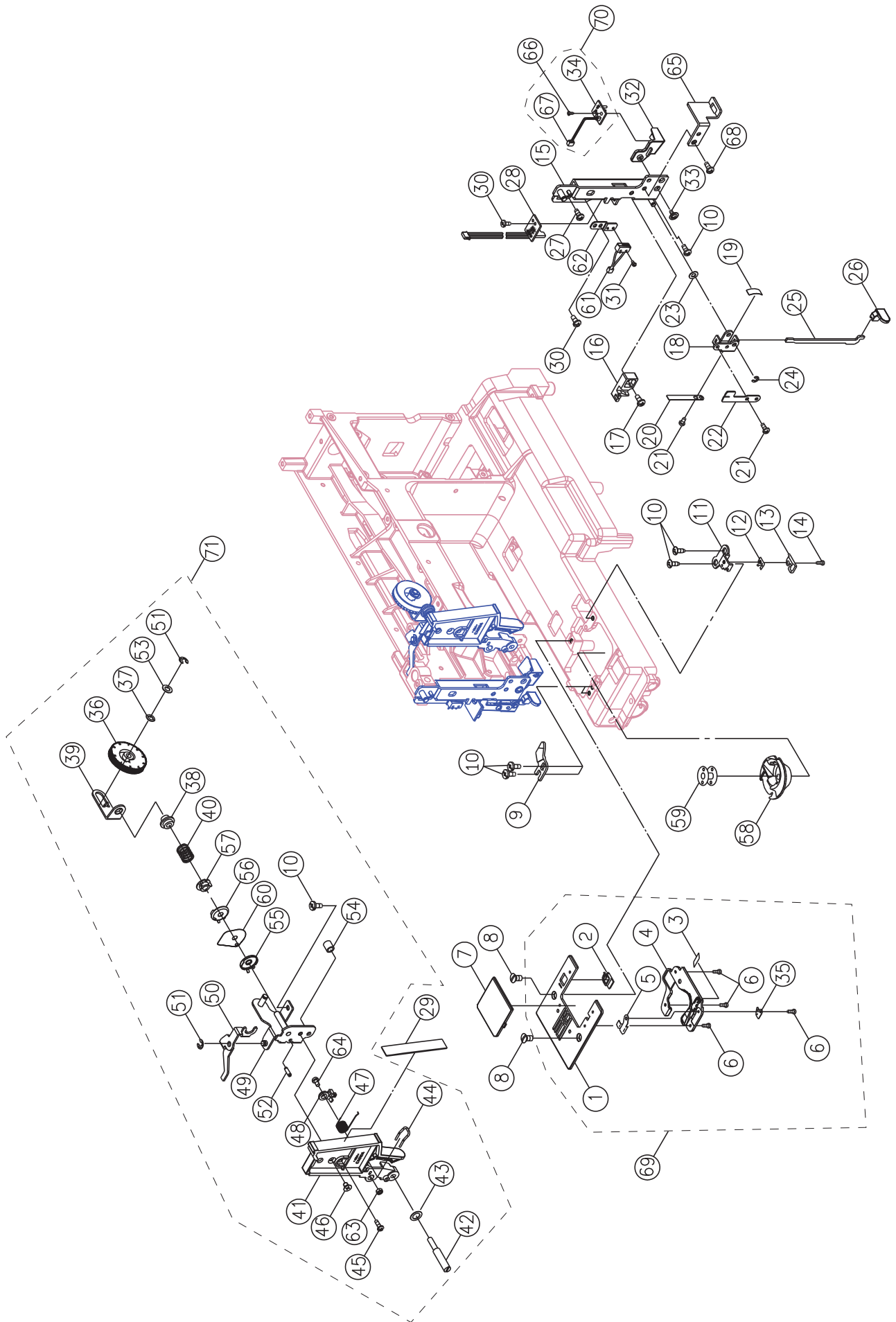
No.	Part No.	Description
1	416476701	PRESSER BAR SET SCREW
2	416577401	PIN
3	416405001	PRESSER BAR SPRING
4	416577501	PRESSER BAR BRACKET
5	270 004250203	SET SCREW M5×5C
6	416476801	PRESSER BAR
7	416476901	PRESSER BAR RING
8	416430501	PRESSER FOOT HOLDER ASSEMBLY (SHANK)
9	820773096	ALL PURPOSE FOOT - OA
10	416430601	SET SCREW (M3X0.5)
11	416477101	SET SCREW (M3X6C)
12	416116001	E-RING (E-3)
13	416477201	PRESSER BAR LIFTER SPACER
14	416577601	WASHER (4.1x10x0.5)
15	416577701	CURVED WASHER
16	416406001	FEED LEVER
17	416406101	FEED ROD CRANK
18	416406001	FEED LEVER PIN
19	416577801	FEED ROD
20	270 004240056	SET SCREW (M4x6B)
21	416577901	FEED SUPPORTER
22	416578001	SHANK LEVER COMPLETE
23	416406501	SPRING
24	416477301	SHANK OF DELIVER CLOTH FOOT COMPLETE
25	416477401	PIN
26	416578101	PRESSER BAR BRACKET PLATE
27	416578201	DUAL FEED SHANK
28	416477601	SHANK SPRING
29	416578301	FEED CRANK
30	416407201	FEED ROD
31	416578401	FEED LEVER COMPLETE
32	416578501	FEED CRANK
33	416578601	FEED ROCK BUSHING
34	416477701	FEED SHAFT
35	416125901	WASHER (6.2x9.6x0.5)
36	416122401	SET SCREW M4×4C
37	416578701	FEED COLLAR
38	416121501	SET SCREW M4×8A
39	416578801	FEED CRANK
40	416578901	FEED ROD
41	416579001	PIN
42	416579101	PIN (1)
43	416579201	FEED SHAFT
44	416579301	SPRING
45	416579401	FEED CRANK
46	416116301	E-RING (E-5)
47	416477801	PRESSER BAR LIFTER LEVER SPACER
48	416477901	PRESSER BAR LIFTER LEVER
49	270 004240746	SET SCREW (M4x18B)
50	416579501	PLATE
51	416579601	TENSION LEVER LIFTER SCREW
52	416478001	PRESSER BAR LEVER MICRO SWITCH
53	416119101	SET SCREW (M2x7.5)
54	416120001	SET SCREW M3×3C
55	416122101	SET SCREW (M4x6C)
56	416121001	SET SCREW (M4×5C)
57	416579601	TENSION LEVER LIFTER
58	416579701	ELECTRIC WIRE PRESS BOARD
59	416548001	E-RING (E-3)
60	416484001	DUAL FEED SHANK COMPLETE
61	416484101	FEED CRANK COMPLETE

C



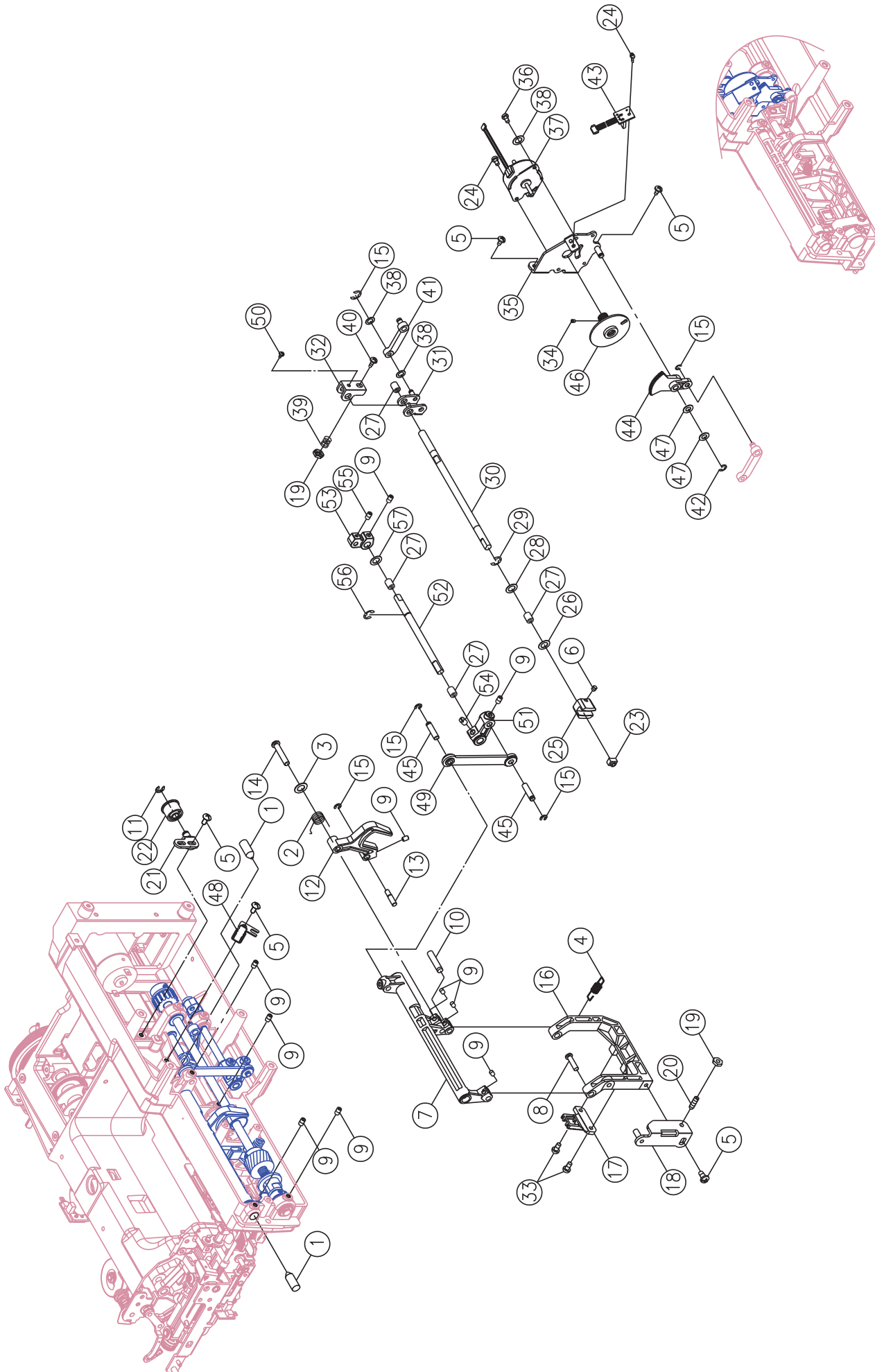
No.	Part No.	Description
1	270 002P4C0006	E-RING (ETW-5)
2	416579801	ZIGZAG CRANK GEAR
3	270 R1A1394000	PULSE MOTOR GEAR COMPLETE
4	416120601	SET SCREW M3×5A
5	416303901	PULSE MOTOR
6	416121501	SET SCREW (M4×8A)
7	416122401	SET SCREW (M4×4C)
8	416579901	NEEDLE BAR SUPPORTER
9	416189301	NEEDLE BAR SUPPORTER PIN
10	416186901	WASHER (WW-6)
11	416185801	WASHER (6.5×13×1)
12	270 003010046	E-RING (ETW-4)
13	416580001	THREADING GUIDE
14	416119201	SET SCREW (M3×6 A)
15	416580101	THREADING SHAFT SPRING
16	416580201	THREADING PLATE
17	416408801	SET SCREW (M2×4B)
18	416184401	SET SCREW (M2×4)
19	416184401	THREADING SHAFT
20	416173601	NEEDLE BAR
21	416409701	THREADING
22	416580301	SET SCREW (M2×3.5)
23	N/S	NEEDLE BAR SUPPORTER
24	416141301	NEEDLE BAR SUPPORTER PLATE PIN
25	416184601	SET SCREW (M3×4 C)
26	416613201	NEEDLE CLAMP
27	416613201	NEEDLE CLAMP SET SCREW
28	416184001	PIN (2×14)
29		NEEDLE (#80)
30	270 E1A2433000	NEEDLE BAR DRIVING ROD PIN
31	416189601	THREADING STOPPER
32	416478101	THREADING STOP HOLDER
33	416150101	NEEDLE BAR CRANK ROD
34	416150801	NEEDLE BAR BRACKET (1)
35	416150801	NEEDLE BAR BRACKET (2)
36	416580501	NEEDLE BAR DRIVING ROD
37	416116101	E-RING (ETW-4)
38	N/S	NEEDLE BAR DRIVING ROD PLATE
39	416120001	SET SCREW M3×3C
40	416184601	SET SCREW (M3×4C)
41	416580601	ZIGZAG PULSE MOTOR PLATE
42	416478201	ZIGZAG PHOTO SENSOR PLATE
43	416478301	LED LIGHT LAMP COMPLETE
44	416580701	LED HOLDER (RIGHT)
45	270 004230082	SET SCREW (M3x6B)
46	416121201	SET SCREW (M4x6B)
47	416150801	NEEDLE BAR CROSS HEAD COMPLETE
48	416613201	NEEDLE CLAMP COMPLETE

D



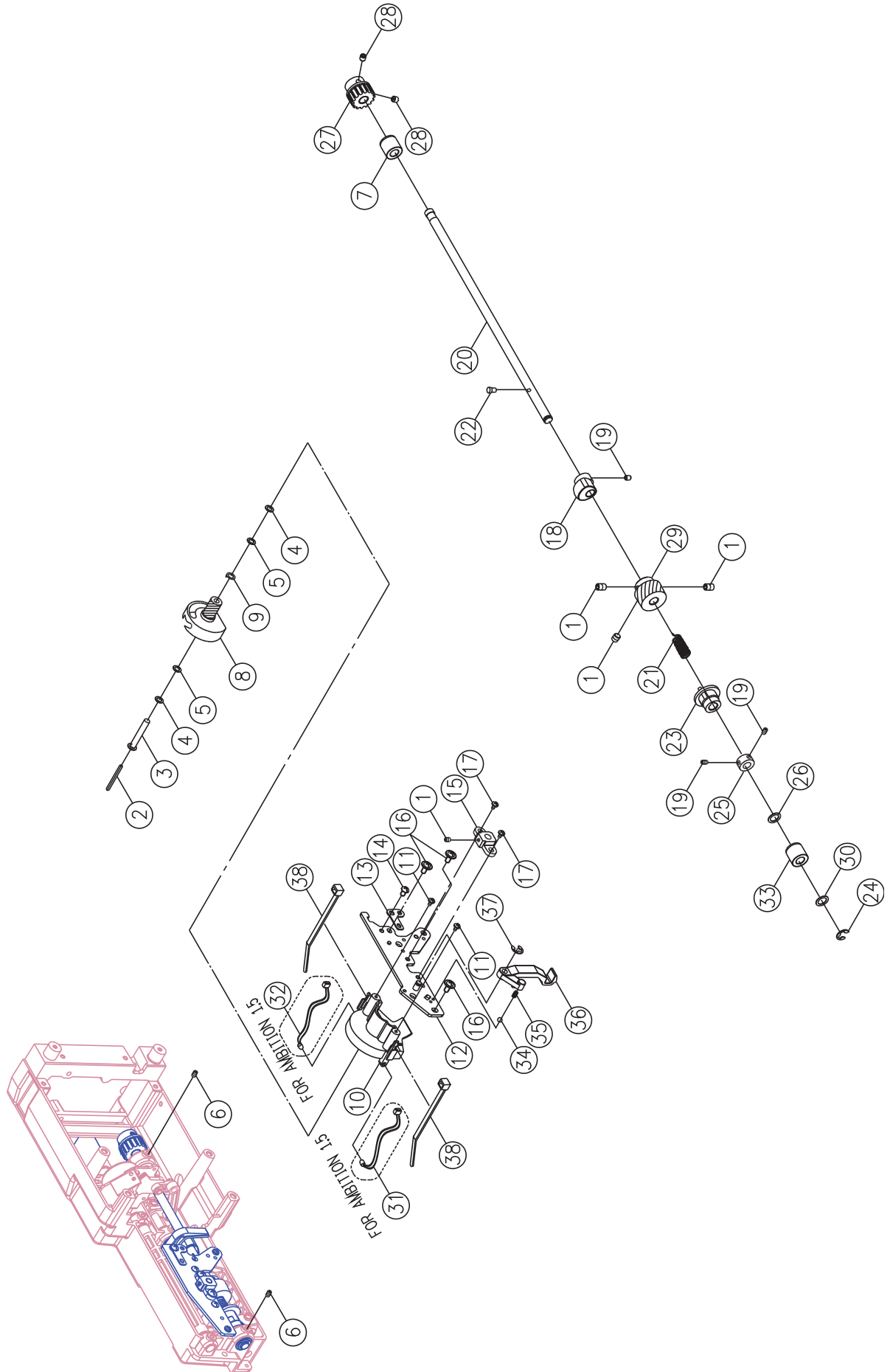
No.	Part No.	Description
1	416479101	NEEDLE PLATE COMPLETE
2	416155201	NEEDLE PLATE COVER OPEN
3	416172501	THREAD CUTTER
4	270 H2AA013000	NEEDLE PLATE SUPPORTER
5	416147501	NEEDLE PLATE SPRING
6	270 0042200016	SET SCREW (M2x3)
7	416586901	NEEDLE PLATE COVER
8	416122901	SET SCREW (M4x6)
9	416144001	ROTARY HOOK PLATE
10	416121201	SET SCREW (M4x6 B)
11	416143901	ROTARY HOOK PLATE (2)
12	416143901	ROTARY HOOK PLATE SPRING (2)
13	416143901	ROTARY HOOK PLATE SPRING (1)
14	416119001	SET SCREW (M2x2.5)
15	416580901	BH LEVER PLATE COMPLETE
16	270 P3C0203209	BH MOVEMENT CRANK
17	416119201	SET SCREW (M3x6 A)
18	270 P3C0173003	BH LEVER CRANK
19	416413101	BH SPRING PLATE
20	416413001	BH LEVER CRANK SPRING
21	270 004230056	SET SCREW M3x5 B
22	270 P3C0193003	PHOTO PLATE
23	416186201	WASHER (5.2x10x0.2)
24	416116001	E-RING ETW-3
25	270 P3C0183002	BH LEVER
26	416581001	BH LEVER BUTTON
27	416121501	SET SCREW (M4x8 A)
28	416478701	PHOTO SENSOR COMPLETE
29	416479401	DIAL TENSION SUPPORTER PLATE COVER PANEL 1.0
	416479402	DIAL TENSION SUPPORTER PLATE COVER PANEL 1.5
30	416120601	SET SCREW (M3x5 A)
31	416119101	SET SCREW (M2x7.5)
32	270 H1A0553209	LED HOLDER
33	416581101	SET SCREW M3x7
34	416484601	LED LAMP PLATE
35	416581201	PLATE
36	416478801	DIAL TENSION KNOB
37	416126001	WASHER (WW-5)
38	416153801	DIAL TENSION REGULATOR
39	416581301	DIAL TENSION SPRING PLATE
40	416155901	DIAL TENSION SPRING
41	416581401	DIAL TENSION SUPPORTER PLATE COVER
42	270 004240982	SET SCREW (M4x37)
43	270 004300926	WASHER (4.1x8x1)
44	416198701	THREAD GUIDE
45	416121701	SET SCREW M4x15B
46	416121901	SET SCREW M4x6
47	416162601	THREAD GUIDE SPRING
48	416581501	UPPER THREAD CRANK
49	416581601	DIAL TENSION SUPPORTER PLATE
50	270 H1A1383003	DIAL TENSION WAFT PLATE
51	416116101	E-RING (ETW-4)
52	416117501	PIN (3x10x0.6)
53	416124501	WASHER (5.2x10x0.5)
54	416151701	DIAL TENSION GUIDE SPRING TUBE (7MM)
55	416153601	DIAL TENSION DISC (1)
56	416146301	DIAL TENSION DISC
57	416156701	DIAL TENSION SPRING REGULATOR
58	270 Q6A0764000	SHUTTLE HOOK COMPLETE
59	416475801	BOBBIN
60	416478901	DUAL THREAD GUIDE PLATE
61	416479001	BH MICRO SWITCH COMPLETE
62	416581701	DIAL TENSION KNOB
63	416302901	NUT (M3 T=2.3)
64	416582101	SET SCREW (M3x12)
65	416582201	FACE PLATE
66	270 004230082	SET SCREW M3x6B
67	416484601	LED LAMP LINE
68	416226601	SET SCREW (M4x5B)
69	416479101	NEEDLE PLATE COMPLETE
70	416484601	LED LAMP COMPLETE
71	416479301	THREAD TENSION COMPLETE

E



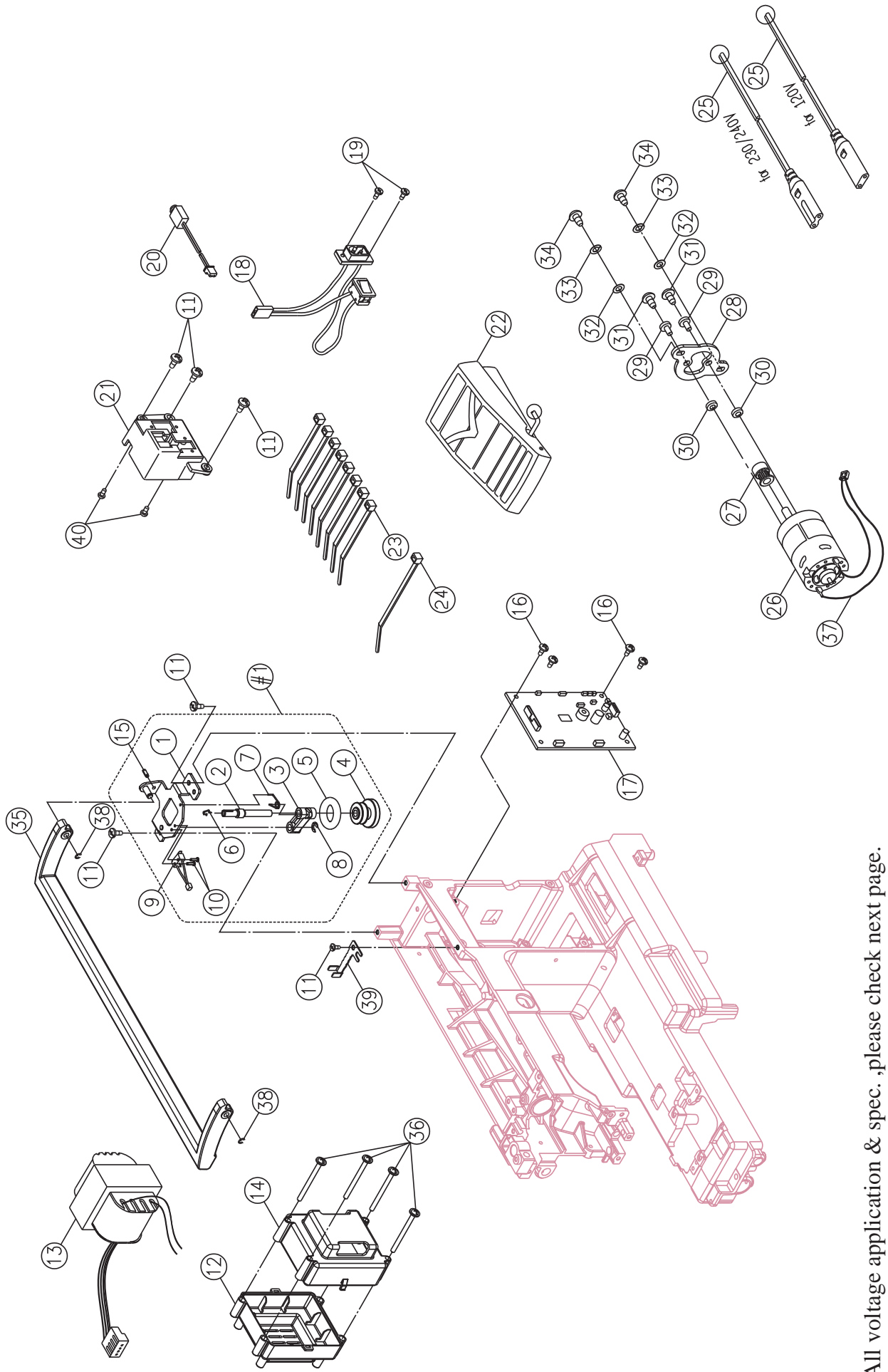
No.	Part No.	Description
1	416192801	FEED CRANK SHAFT
2	416195701	FEED ROCK CRANK SPRING
3	416186301	WASHER (5.2×12×1)
4	416192701	FEED DOG SPRING
5	416121501	SET SCREW M4×8A
6	416122401	SET SCREW (M4×4C)
7	270 004240526	FEED ROCK SHAFT
8	416192101	FEED DOG SHAFT
9	416122101	SET SCREW M4×6C
10	416549201	FEED ROCK FRAME SHAFT (2)
11	416116101	E-RING (ETW-4)
12	416192401	FEED ROCK CRANK
13	416192601	REGULATING BLOCK SHAFT
14	270 P3A0583003	FEED ROCK SHAFT
15	416116001	E-RING ETW-3
16	416479501	FEED DOG SUPPORTER
17	416479601	FEED DOG
18	416581901	FEED LIFTING ROCK CRANK
19	416126801	ADJUSTING NUT (ALN-4)
20	416185501	SET SCREW (M4×0.7 L9)
21	270 H1A0433003	BELT ADJUSTING PLATE
22	270 H1A0453000	BELT ADJUSTING PLATE PULLEY
23	416356601	FEED REGULATING BLOCK
24	416120601	SET SCREW (M3×5A)
25	416149701	FEED REGULATING
26	416125601	ENDURE ATTRITION WASHER (6.7×11.8×0.5)
27	416156901	FEED ROCK BUSHING
28	416124001	WASHER 6.7×12×1
29	416116601	E-RING ETW-5
30	416582001	FEED REGULATING SHAFT
31	416582401	FEED REGULATING CRANK
32	270 D3A0263003	FEED CRANK
33	416185001	SET SCREW (M3.5×0.6 L8A)
34	416120001	SET SCREW (M3×3C)
35	416582501	PULSE SUPPORT PLATE
36	416569401	SET SCREW (M3x4A)
37	416303901	PULSE MOTOR COMPLETE
38	416124101	WASHER (4.2×8×0.8)
39	270 D3A0293003	FEED REGULATING CRANK SPRING
40	416582601	FEED REGULATING CRANK SET SCREW (M4x16)
41	270 D3A0943000	FEED ROCK ROD
42	270 003010046	E-RING ETW-4
43	416582701	PHOTO SENSOR COMPLETE
44	270 P3C0243000	FEED ROCK CRANK GEAR
45	416582801	FEED ROCK ROD PIN
46	270 R1A1394000	PULSE MOTOR GEAR COMPLETE
47	416186201	WASHER (5.2×10×0.2)
48	416582901	ELECTRIC WIRE PRESS BOARD
49	416583001	FEED ROCK ROD COMPLETE
50	416582101	SET SCREW (M3x12)
51	416583101	FEED TRANSFER CRANK (1)
52	416583201	FEED TRANSFER SHAFT
53	416583301	FEED TRANSFER CRANK (2)
54	416583401	SET SCREW (M5x8C)
55	416583501	SET SCREW (M3x5C)
56	416116301	E-RING ETW-5
57	416583601	WASHER (6.7x11.8x0.25)

F



No.	Part No.	Description
1	416121001	SET SCREW M4×5C
2	416155801	BOBBIN SHAFT OIL CLOTH
3	416145401	BOBBIN SHAFT
4	416155601	BOBBIN SHAFT WASHER (2)
5	416125901	ENDURE ATTRITION WASHER (6.2x9.6x0.5)
6	416122101	SET SCREW M4×6C
7	416141701	LOWER SHAFT BUSHING
8	416479801	SHUTTLE HOOK HOLDER
9	416155701	BOBBIN SHAFT WASHER (3)
10	416583701	SHUTTLE HOOK COVER
11	416119501	SET SCREW M3×12
12	416572401	ROTARY HOOK HOLDER
13	416191801	ROTARY HOOK HOLDER POSITIONED PLATE
14	416121201	SET SCREW M4×6B
15	416143401	ROTARY HOOK SUPPORTER
16	270 004240586	SET SCREW M4×8
17	416121501	SET SCREW M4×8A
18	416200501	FEED ROCK CAM
19	416122401	SET SCREW (M4×4C)
20	416583801	LOWER SHAFT
21	416191401	LOWER SHAFT SPRING
22	270 P3A0433003	FEED LIFTING ROCK COM PIN
23	416191201	FEED LIFTING ROCK CAM
24	416116401	E-RING ETW-6
25	416158801	LOWER SHAFT COLLAR
26	416125801	ENDURE ATTRITION WASHER(8.2×12×0.5)
27	270 H1A0463000	LOWER SHAFT BELT PULLEY
28	270 004250203	SET SCREW M5×5C
29	416197201	LOWER SHAFT GEAR
30	416186501	WASHER 8.2×12×0.5
31	416479901	ROW LINE (RECEIVE)
32	416479902	ROW LINE (RECEIVE)
33	416583901	LOWER SHAFT BUSHING
34	416415501	BALL
35	270 E1A1873003	SPRING
36	416480001	TOOTH LEVER ARM
37	270 003010046	E-RING (E-4)
38	270 002030129	CORD CLIP (L=12)

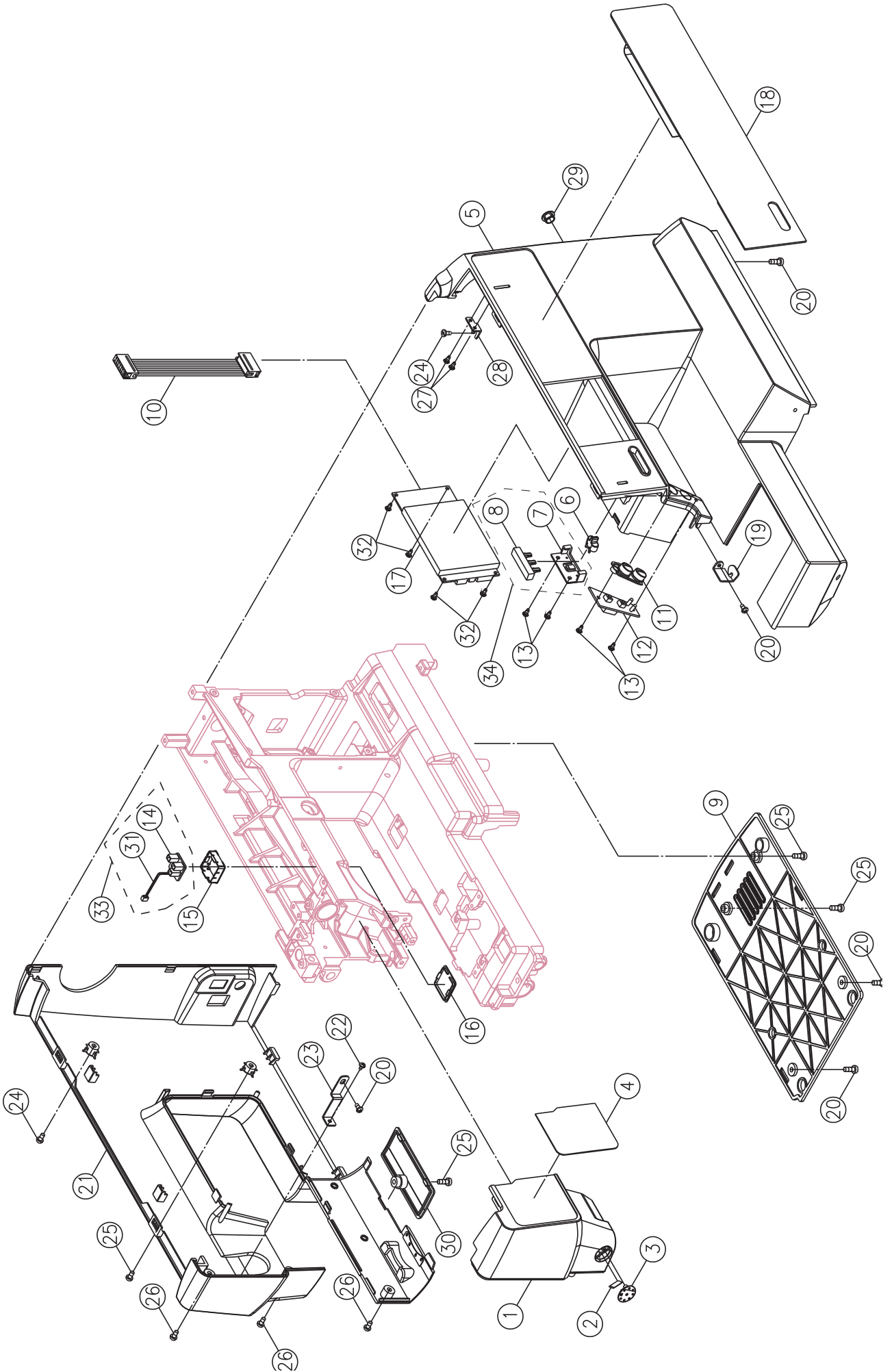
G



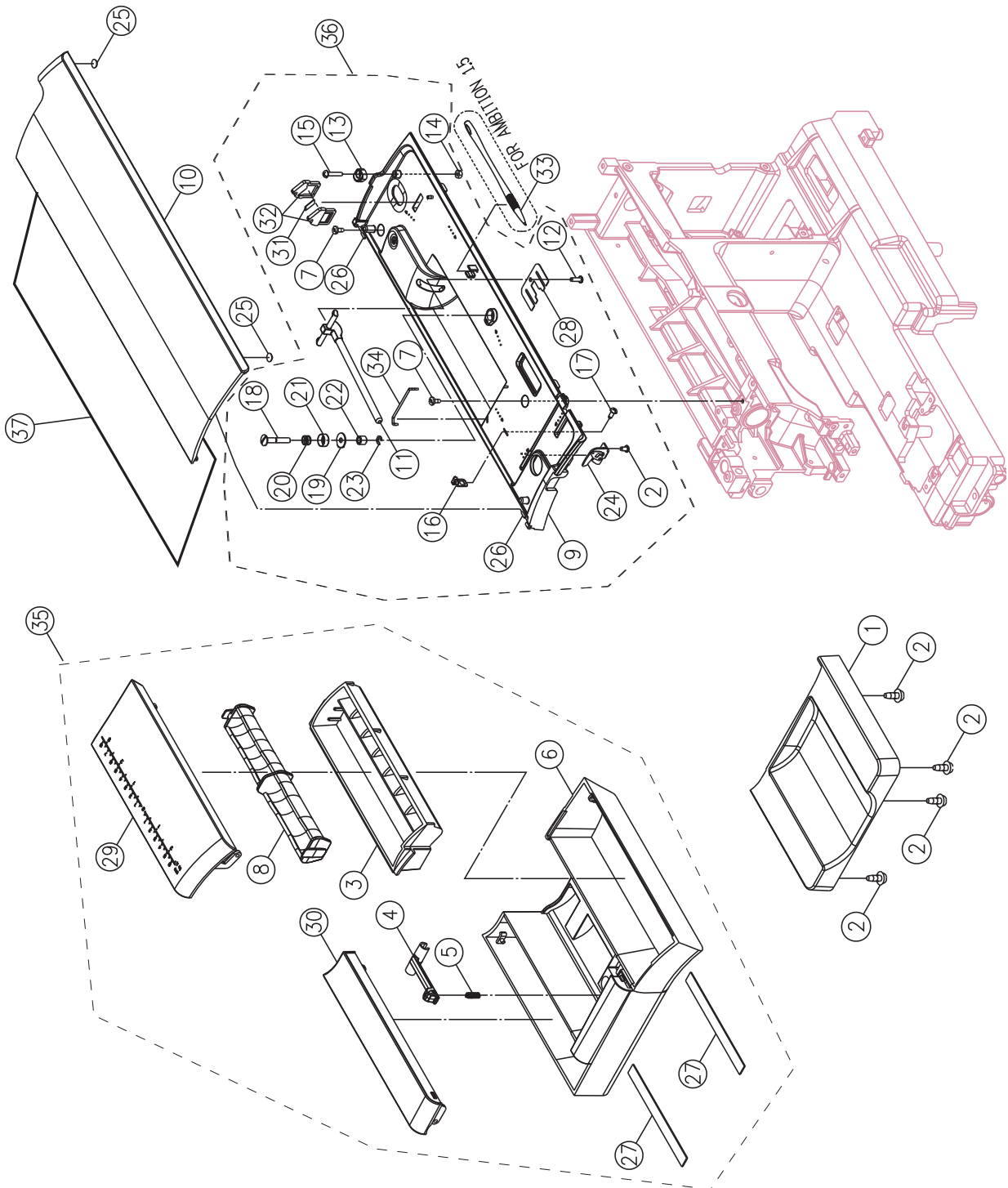
All voltage application & spec. .please check next page.

No.	Part No.	Description
1	416584001	BOBBIN WINDER PLATE
2	416584101	BOBBIN WINDER CRANK
3	416584201	BOBBIN WINDER CRANK
4	270 D5A0633000	BOBBIN WINDER PULLEY
5	416149201	BOBBIN WINDER RUBBER PULLEY
6	416584301	BOBBIN WINDER CRANK SPRING
7	416356401	BOBBIN WINDER CRANK SPRING
8	416116301	E-RING ETW-5
9	416480101	MICRO SWITCH
10	416119101	SET SCREW (M2x0.4x7.5)
11	416121501	SET SCREW (M4x8A)
12	416584401	TRANSFORMER BOX (1)
13	416480201	TRANSFORMER (230V) - EU
	416480202	TRANSFORMER (120V) - UL
	416480203	TRANSFORMER (240V)
14	416584501	TRANSFORMER BOX (2)
15	270 003043008	SPRING PIN (3x8x0.6)
16	416121701	SET SCREW (M4x15B)
17	416480301	MAIN CIRCUIT BOARD 1.0
	416480302	MAIN CIRCUIT BOARD 1.5
18	416480401	SWITCH RECEPTACLE ASS'Y -EU
	416480402	SWITCH RECEPTACLE ASS'Y - UL
19	416482501	SET SCREW (M3x8B)
20	416480501	CONTROLLER RECEPTACLE
21	416584601	RECEPTACLE HOLDER
22	416480601	FOOT CONTROLLER (C-9002)
23	270 002030129	CORD CLIP (L=12)
24	270 002549129	CORD CLIP (L=20)
25	416419801	POWER CORD (120V) -UL
	416419702	POWER CORD (230V) - EU
	416420002	POWER CORD (240V) SAA
	416419902	POWER CORD (240V) UK
26	416417101	DC MOTOR COMPLETE
27	416541901	MOTOR WHEEL
28	270 H1A0303006	MOTOR BRACKET
29	416419001	INSULATION SPACER
30	416418901	INSULATION SPACER
31	416120201	SET SCREW (M3x10)
32	416124301	WASHER(5.4x10x0.9)
33	416126201	SPRING WASHER (5.1x9.2x1.3)
34	270 004250086	SET SCREW (M5x12)
35	416480701	HANDLE
36	416584701	SET SCREW M4x50
37	416584801	DC MOTOR LEAD CORD
38	270 003010043	E-RING (ETW-4)
39	416584901	ELECTRIC WIRE PRESS BOARD
40	270 004230216	SCREW (M3x8.5)
#1	416480801	BOBBIN WINDER COMPLETE

H

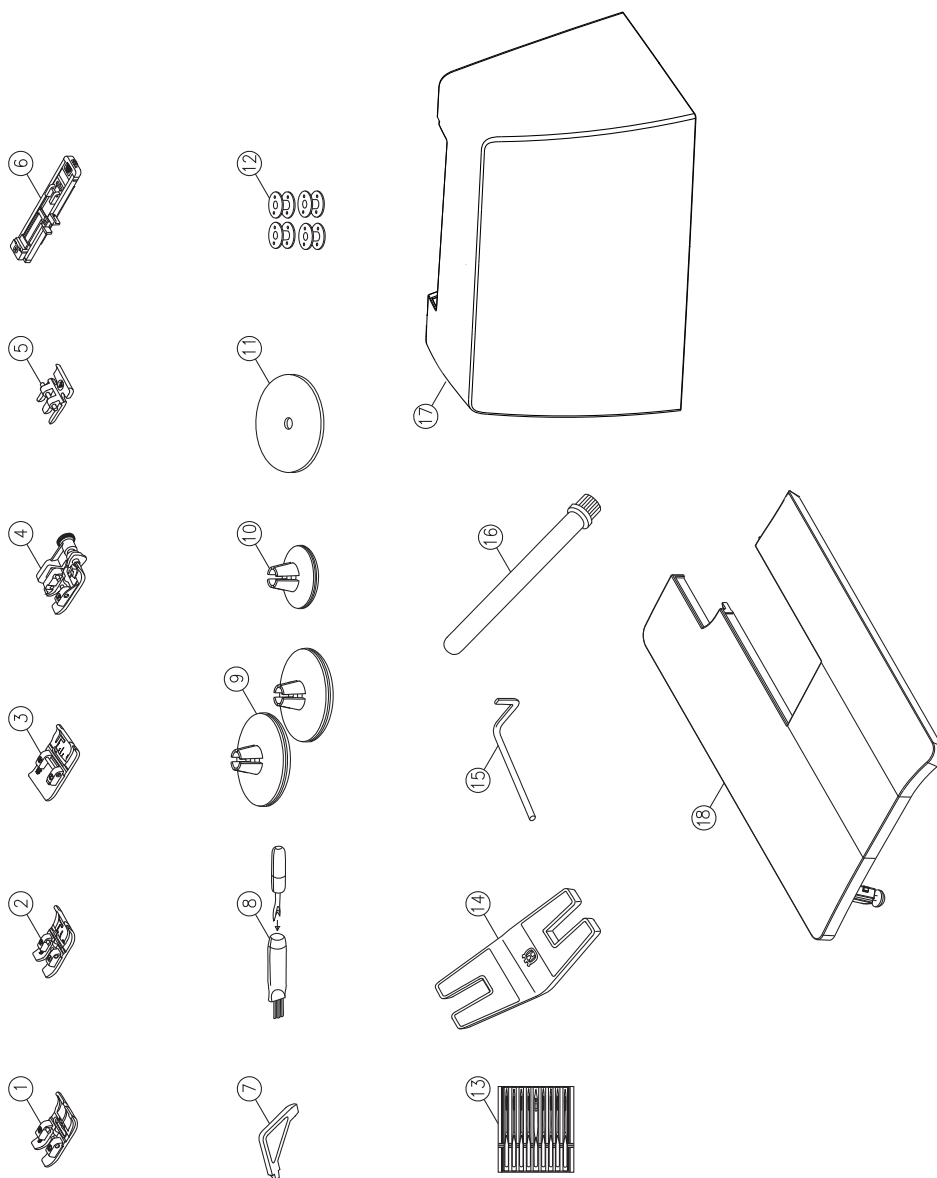


No.	Part No.	Description
1	416480901	FACE PLATE
2	270 V630593000	THREAD CUTTER
3	416481001	FACE CUTTER PLATE
4	416481101	FACE PANEL 1.0
	416481102	FACE PANEL 1.5
5	416481201	FRONT COVER
6	416481301	SLIDE VOLUME LEVER
7	416481401	SLIDE VOLUME KNOB CONNECTOR
8	416481501	SLIDE VOLUME
9	416481601	CORD REEL COVER
10	416497901	ROW LINE US Version
	416523701	ROW LINE EU & Australia
11	416481701	START/STOP REVERSE PUSH BUTTON
12	416481801	KEY PLATE
13	270 004230126	SET SCREW M3×8B
14	416484701	LED LAMP PLATE
15	416585001	LIGHT CASE
16	416585101	LIGHT COVER
17	416497801	LCD - MAIN CIRCUIT BOARD 1.0
	416514801	LCD -MAIN CIRCUIT BOARD 1.5
18	416482001	PLATE 1.0
	416482002	PLATE 1.5
19	416585201	ARM TOP COVER THREAD GUIDE PLATE
20	270 004240106	SET SCREW M4×8A
21	416482101	BACK COVER - USA
	416482102	BACK COVER - EU
22	270 004230216	SET SCREW (M3x8.5)
23	416585301	BACK PLATE
24	270 004240056	SET SCREW (M4x6B)
25	416121601	SET SCREW (M4x12B)
26	270 004240526	SET SCREW (M4x12B)
27	416482501	SET SCREW (M3x8)
28	416306501	FRONT PLATE
29	416482201	CAPS
30	416482301	FREE ARM BASE
31	416585401	LED LAMP LINE
32	416585501	SET SCREW (M2.5x6)



No.	Part No.	Description
1	416482401	FREE ARM FOOT BUSH
2	416482501	SET SCREW M3×8
3	416585701	ACCESSORIES FOOT
4	416585801	SEWING TABLE BODY GUIDE
5	416585901	SEWING TABLE BODY GUIDE SPRING
6	416586001	SEWING TABLE BODY
7	270 004240526	SET SCREW M4×12B
8	416586101	BOBBIN FOOT
9	416483101	TOP PLATE USE 416483101
10	416482601	TOP COVER
11	416482701	SPOOL ROD
12	270 004230215	SET SCREW M3×8.5
13	N/S	BOBBIN WINDER STOPPER
14	270 004830016	NUT (M3 T=2.)
15	416585601	SET SCREW (M3x12B)
16	270 E1A2043001	THREAD GUIDE
17	416184801	SET SCREW M3×8
18	416148101	BOBBIN WINDER THREAD GUIDE ADJUSTING
19	416148101	BOBBIN WINDER THREAD GUIDE
20	416148101	BOBBIN WINDER THREAD GUIDE SPRING
21	416148101	BOBBIN WINDER SPRING DISC
22	416148101	SPACER
23	416548001	E-RING ETW-3
24	416483101	THREAD GUIDE COMPLETE
25	412569701	NOISE ELIMINATION CUSHION
26	416483101	TOP COVER PIN
27	416307101	SEWING TABLE BODY FELT
28	416482801	SPOOL PLATE
29	416483001	SEWING TABLE BODY COVER (FRONT)
30	416483001	SEWING TABLE BODY COVER (BACK)
31	270 V630593000	THREAD CUTTER
32	416586301	ROLL CUT
33	412693401	TOUCH PEN 1.5
34	416586401	THREAD GUIDE
35	416483001	SEWING TABLE COMPLETE
36	416483101	TOP PLATE COMPLETE
37	416484901	STITCH DECAL 1.0
	416485001	STITCH DECAL 1.5

J



No.	Part No.	Description
1	820773096	STANDARD PRESSER FOOT (0A)
2	820774096	FANCY STITCHES FOOT (1A)
3	413060501	FANCY STITCHES FOOT (2A)
4	820256096	BLIND HEM FOOT (3)
5	820248096	ZIPPER FOOT (4)
6	416483201	BUTTONHOLE FOOT
7	270 006093009	SCREWDRIVER
8	270 006099008	BRUSH/SEAM RIPPER
9	416483301	SPOOL HOLDER (LARGE)
10	416483401	SPOOL HOLDER (SMALL)
11	416483501	FELT PAD
12	416475801	BOBBIN
	821038096	BOBBIN 10 PACK
13		PACK OF NEEDLE
14	416483601	CLEARANCE PLATE
15	416483701	EDGE/QUILTING GUIDE
16	416483801	SPOOL PIN
17	416488201	HARD COVER AMBITION
18	821001096	EXTENSION TABLE
	820999096	STRAIGHT STITCH PLATE AMBITION